

# Resistor Covers

**L**

**B**

**05**

**E**

**H**

**P**

**K**

**External appearance**

- L: 90° Elbow type
- S: Straight
- X: 102° Elbow Type
- V: 120° Elbow type (long)
- Y: 120° Elbow type (short)

**Resistance**

- 01: 1 KΩ
- 05: 5 KΩ
- 10: 10 KΩ

**Adaptable plug terminal**

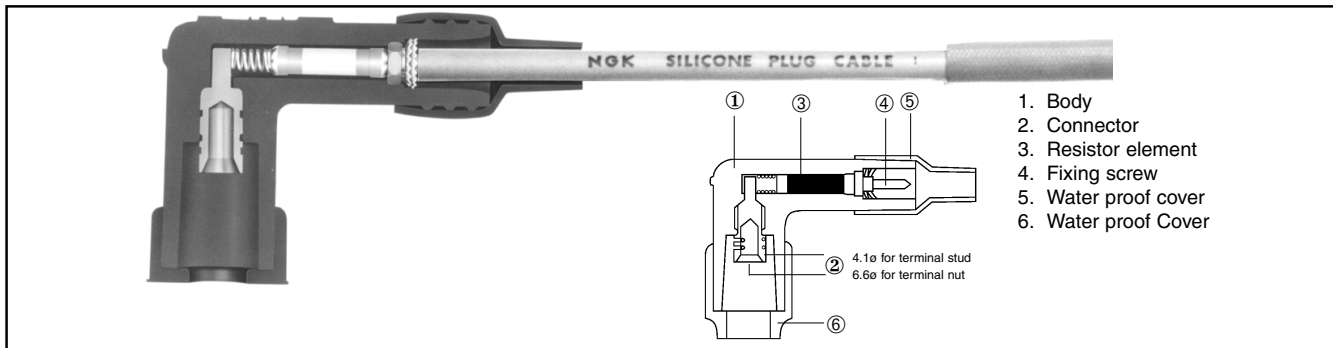
- E: For terminal nut or integrated terminal
- F: For terminal stud



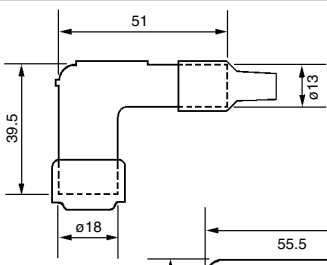

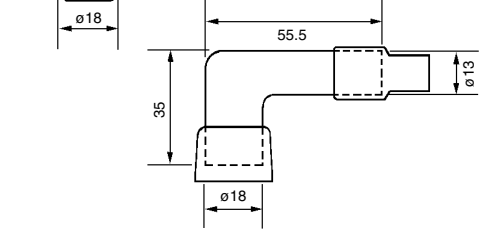

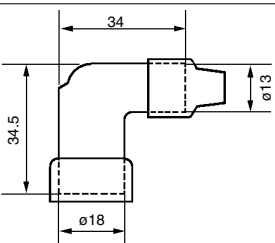
**Accessory**

- H: Compact type
- P: With Special Water-Proof Cover
- K: With Silicone Water-Proof Cover
- M: Rubber Sheathed
- F: For 5 mm ø high tension cord
- Y: With handle
- Z: Special shape



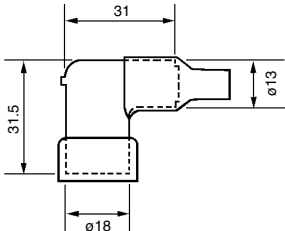

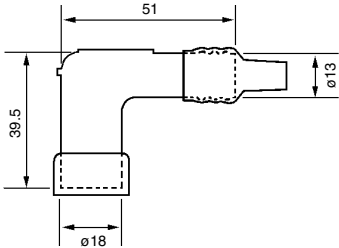

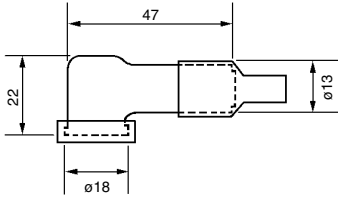

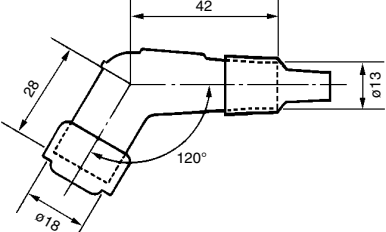

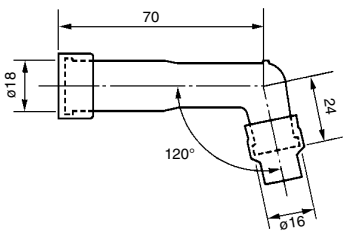

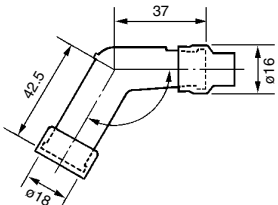

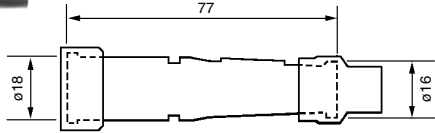
**Adaptable plug thread size**

- B: 14mm ø thread
- D: 10 & 12mm ø thread
- Z: 10, 12 & 14mm ø thread










| Configuration (applicable plug thread dia, body material)  | Unit: mm  | Part No:                                  | Stock No:                             |  KΩ |
|--|---|---|---------------------------------------|--|
|  <p>LE, LB type:<br/>14mm ø thread<br/>LD type:<br/>10 &amp; 12mm ø thread<br/>Phenolic Resin</p> <p>&lt; Excluding LB○EZ type &gt;</p> |  | <p><b>LB01EP</b></p> <p><b>LB05EP</b></p> | <p><b>8328</b></p> <p><b>8020</b></p> | <p>1</p> <p>5</p> <p>1</p> <p>5</p>  |
|  <p>14mm ø thread<br/>Phenolic Resin</p> <p>&lt; LB○EZ &gt;</p>   |  | <p><b>LB05FP</b></p> <p><b>LB05EZ</b></p> | <p><b>8030</b></p> <p><b>8744</b></p> | <p>5</p> <p>5</p> <p>5</p> <p>5</p> <p>10</p>  |
|   |  | <p><b>LZFH</b></p>                        | <p><b>8381</b></p>                    | <p>No resistor</p>   |

# Resistor Covers

| Configuration (applicable plug thread dia, body material) Unit: mm  | Part No:                       | Stock No:                  |  |
|---|--------------------------------|----------------------------|---|
|  <p>LB type:<br/>14mm <math>\phi</math> thread</p>    | <b>LB10EH</b>                  | <b>8351</b>                | 10  |
|  <p>10 &amp; 12mm <math>\phi</math> thread<br/>Phenolic Resin</p>    | <b>LD05FP</b>                  | <b>8070</b>                | 5   |
|  <p>10mm <math>\phi</math> CM-6 only<br/>Phenolic Resin</p>    |                                |                            | 5   |
|  <p>YB type:<br/>14mm <math>\phi</math> thread</p>   | <b>YB05FP</b>                  | <b>8448</b>                | 5   |
|  <p>XB type:<br/>14mm <math>\phi</math> thread<br/>XD type:<br/>10 &amp; 12mm <math>\phi</math> thread</p>                     | <b>XB05FP</b><br><b>XD05FP</b> | <b>8435</b><br><b>8641</b> | 5   |
|  <p>VB type:<br/>14mm <math>\phi</math> thread<br/>VD type:<br/>10 &amp; 12mm <math>\phi</math> thread<br/>Phenolic Resin</p>  | <b>VB05FP</b><br><b>VD05FP</b> | <b>8413</b><br><b>8429</b> | 5   |
|  <p>SB type:<br/>14mm <math>\phi</math> thread<br/>SD type:<br/>10 &amp; 12mm <math>\phi</math> thread</p>                     | <b>SB05FP</b><br><b>SD05FP</b> | <b>8386</b><br><b>8325</b> | 5   |

# Resistor Covers

| Configuration (applicable plug thread dia, body material) Unit: mm   | Part No:         | Stock No: |  |
|--|------------------|-----------|---|
|  <p>14mm <math>\phi</math> thread<br/>Rubber sheathed</p>   | LB05EMH          | 8338      | 5   |
|  <p>14mm <math>\phi</math> thread<br/>Rubber sheathed<br/>(Silicon)</p>   | TB05EM           | 8955      | 5   |
|  <p>14mm <math>\phi</math> thread<br/>Rubber sheathed</p>  | TB05EMA<br>(Blk) | 8636      | 5   |
|  <p>14mm <math>\phi</math> thread<br/>Rubber sheathed<br/>(Silicon)</p>   |                  |           | 5   |
|  <p>14mm <math>\phi</math> thread<br/>Rubber sheathed (Silicon)<br/>For racing spark plug<br/>R6120- only</p>                           |                  |           | 5   |
|  <p>14mm <math>\phi</math> thread<br/>Rubber sheathed (Silicon)<br/>For racing spark plug<br/>R5300A- only copy<br/>resistor covers</p> |                  |           | 5   |